



DIGITAL EVIDENCE RECORDER™



- 16 Channel IP-based Network Video Recorder
- Operates with Jpeg, Mpeg 2 and Mpeg 4 IP-based devices
- Configurable in RAID levels 1, 5 or 6
- Supports SNMP for total network integration
- Capacities up to 18Tb with Hot Swappable Drives and Triple Redundant PSU
- Third Party Integration via full SDK

OCTAR Net Array is the Enterprise NVR variant of the highly successful OCTAR Net NVR. Capable of simultaneously recording from a variety of IP-based video sources including Jpeg, Mpeg 2 & Mpeg4, OCTAR Net Array represents the most resilient, high redundancy option for organisations wishing to add an IP-based video surveillance solution to their operations.

To back up the highly robust hardware configuration of RAID6 storage, hot swappable drives and a triple redundant power supply, OCTAR Net Array provides comprehensive SNMP support for complete network integration and hardware monitoring.

All system operations and set up are performed by the compression agnostic Visimetrics CONTROL Software application, providing a universal interface to other Visimetrics DVRs within the same, secure surveillance network. The Control package manages OCTAR Net Array's audit files, passwording and handling of data transport for evidence, ensuring it also fulfils its primary function as a provider of CCTV evidence. A full SDK is also available for projects which call for greater levels of integration with third party controls.

OCTAR net array

Product Range	OCTAR Net Array is supplied as a 16-channel rack mount unit. Hard disk capacities may be specified between 1.5TB and 18TB.
Recording Rates	Independent, variable recording rates per input up to 25ips per camera for 16 cameras, depending on input.
Resolution	Selectable : 720 x 576, 480 x 576, 352 x 288.
Compression Format	JPEG, MPEG2, MPEG4
Storage Format	Hot swappable Hard Disks with volume capacities from 1.5TB to 18TB. Supports hardware RAID configured to RAID1, RAID5 or RAID6 (default) level.
Supported Inputs	Various industry standard, third party codecs supported. Additional codecs incorporated via software upgrade.
Video Input	Via TCP/IP network.
Video Output	Via CONTROL.
Audio Input	Via TCP/IP network.
Audio Output	1 x Mini Jack.
Data Recording	Up to 16 independent data channels may be recorded through serial ports or network links. Examples: Access Control, ANPR, EPoS, Bar Codes and Alarm data. Recorded data is synchronised with video and audio and is searchable for event retrieval and playback. Text overlay display may be toggled on/off during playback (via CONTROL software).
Alarm Input/Output	As supported by network device.
Network Ports	Dual Ethernet 100/1000Mbps ports on RJ45 sockets. Remote Access via LAN, WAN & ADSL. DHCP enabled. SNMP supported.
Serial Ports	1 x RS232. 9 pin D type.
Video Motion Detection	Integrated high performance VMD with zone-masking.
Recording Scheduling	Programmable continuous and event recording according to time and weekday. Combined VMD/Timelapse mode.
Telemetry Support	As supported by network device.
Software Integration	Visimetrics Software Developers Kit (SDK) provides a powerful set of software components that enable third-party applications to integrate with OCTAR Net Array.
Image Export	Transfer of footage to CD/DVD RW. Transfer of required CONTROL software during disk creation for third party review by PC. Supports transfer to USB devices including memory stick and portable Hard Disk.
Screen Display	1 to 16 cameras, with multi-camera playback, full-screen pull-up, text overlay option and live viewing.
Other Features	Full operator log and evidential audit trail. Automatic restart after power fail. Hardware watchdog. Remote access and live viewing via Control Station or Control software.
Mains Power Input	200-240V ac 50Hz. 200W typical.
Operating Conditions	5 to 35 °C; 5% to 85% relative humidity.
Dimensions	W x H x D - 430mm x 175mm x 510mm. With 19" Rack Mount front lugs including handles.

CONTROL user interface

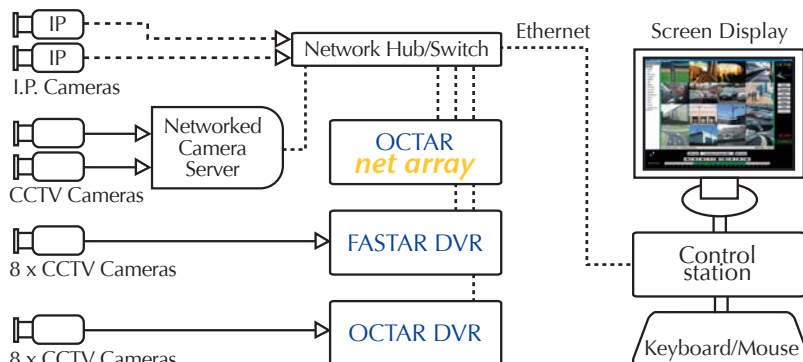


OCTARnet array configured for 48-channels of Network Video Recording.



DIGITAL EVIDENCE RECORDER™

All Visimetrics DVR products now carry the **DIGITAL EVIDENCE RECORDER™** trademark. These DVRs are designed to record video, audio and data to the highest possible standards for evidential use, including encoding, time/date/serial number stamping, audit trail and easy, yet evidentially robust, data transport. Ask your dealer for our specially printed blank disks for evidential use.



Integration of networked video recorders and "traditional" digital video recorders



DIGITAL CCTV SYSTEMS

Visimetrics (UK) Ltd
Skye House
Skye Road
Prestwick
KA9 2TA

Tel • +44 (0)1292 673 770

Fax • +44 (0)1292 677 990

e-mail • sales@visimetrics.com